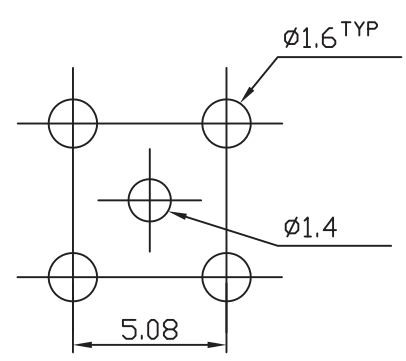
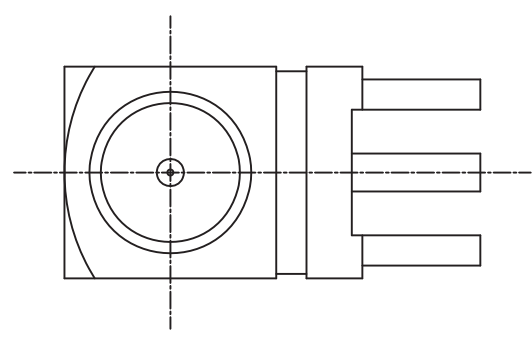
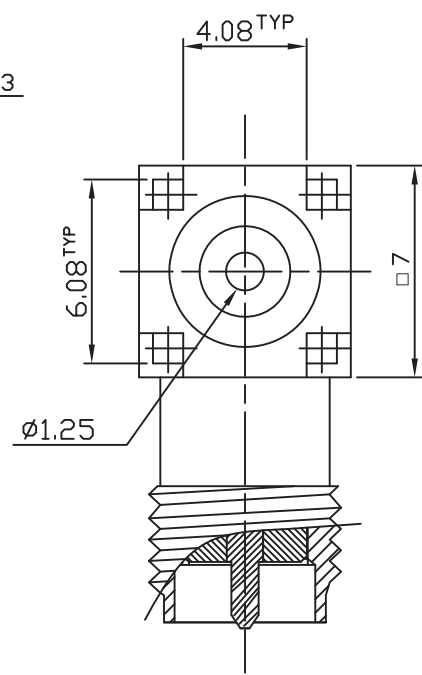
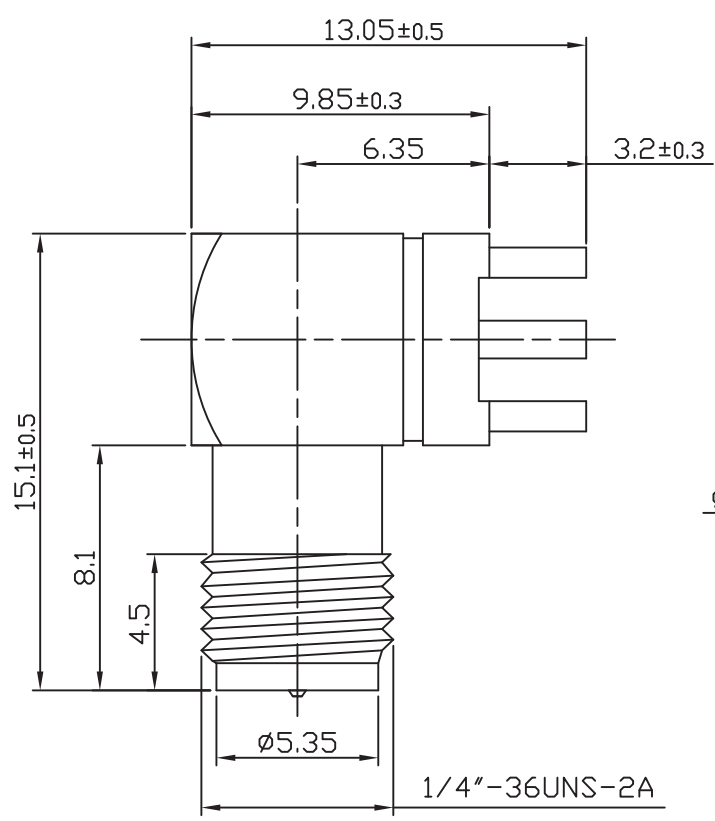


Rev	Zone	Description	ENG	Approved	Date



PCB Layout

UNLESS OTHERWISE SPECIFIED TOLERANCES ON: ± 0.2  THIRD ANGLE PROJECTION	DRAWN BY: HWCHAN	MATERIAL: Brass	TITLE : SMA(F-RP)-R/A for PCB
	DESIGNED BY: 邱瑩鈺	FINISH: Gold Plated	DRAW NO. : 10449
	CHECKED BY: 陳??	SCALE: 4/1 UNIT:mm	PART NO. : 11060G0017000
	APPROVED BY: 萬執中	DATE: 2009/3/23	<b>JOYMAX ELECTRONICS CO.,LTD.</b>
THIS DRAWING CONTAINS INFORMATION THAT IS PROPRIETARY TO JOYMAX AND SHOULD NOT BE USED WITHOUT WRITTEN PERMISSION.		REV: 00	